

## PLASMA CUTTING

The new series of Torches  
**Hybrid**

**RPT-Torches suitable for HY Duramax®**

**RPT-Torches suitable for HY Powermax®**

**Powermax® 45**

**Powermax® 45XP**

**Powermax® 65**

**Powermax® 85**

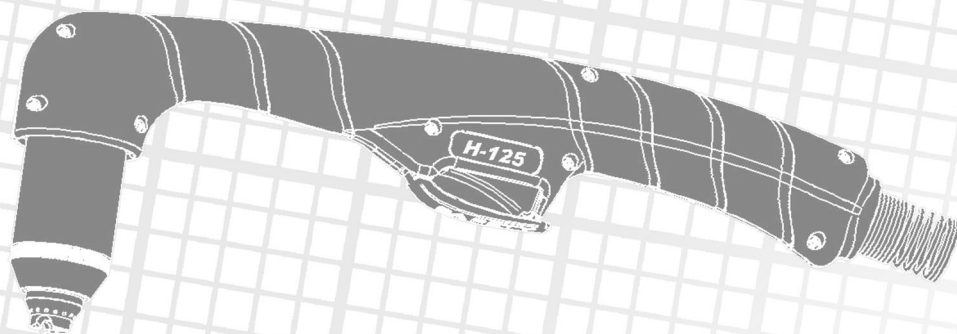
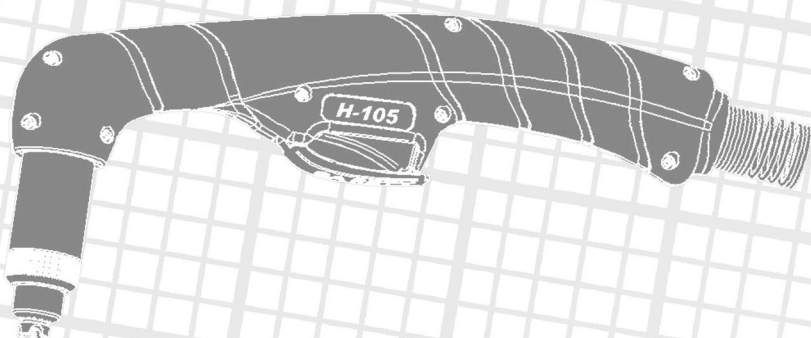
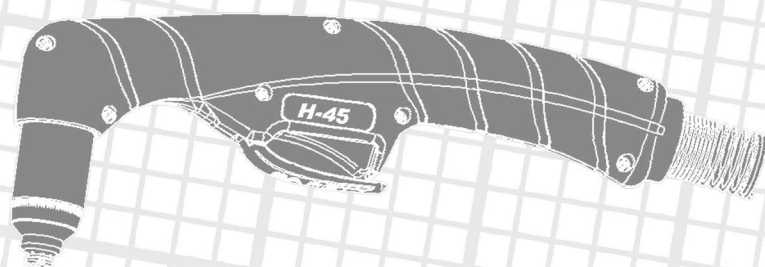
**Powermax® 105**

**Powermax® 125**

**Powermax® 1000**

**Powermax® 1250**

**Powermax® 1650**



**NEW**

● Higher performances

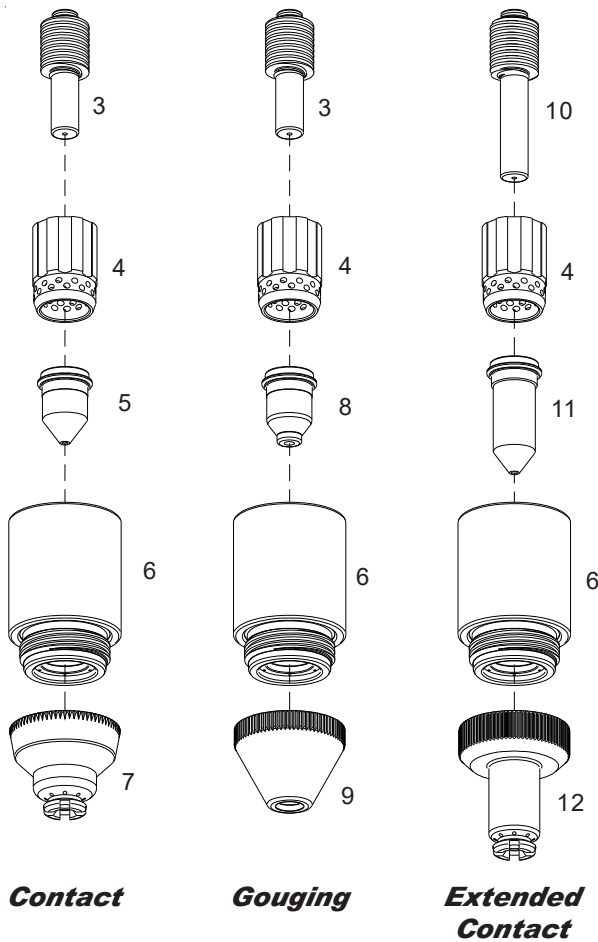
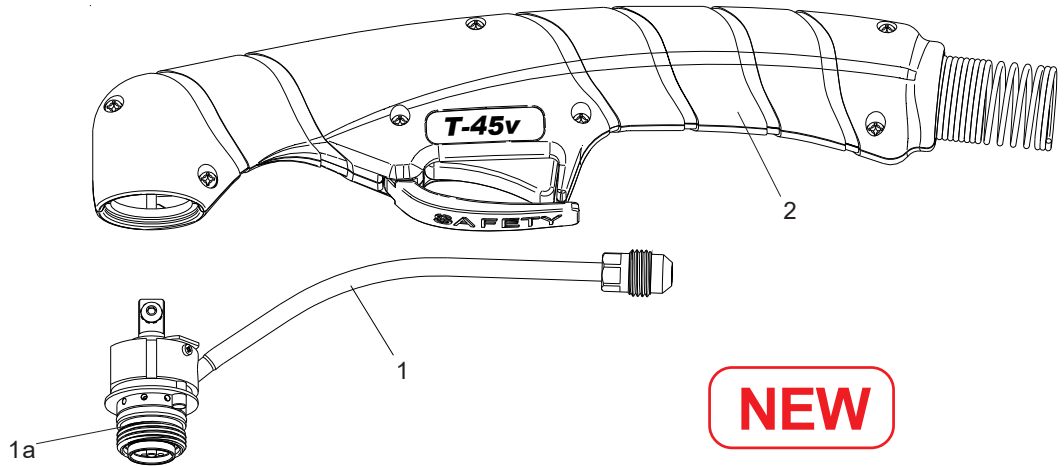
● Cleaner cut

● Faster speed

**RPT-Torches for HY**

# RPT-Torches suitable for Powermax® 45 Hand Torch T45V

**Hybrid**



## RPT-Torches suitable for Powermax<sup>®</sup> 45 Hand Torch T45V

### Replacement Parts

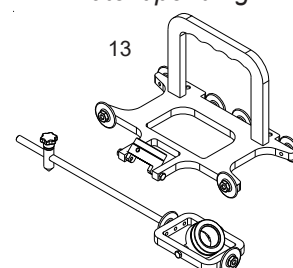
#### Torch parts

Item	Ref.	Code	Description
1	228346TD	05800HY	<b>T45V</b> Hand Torch Head
1a	058503	07300.60	O-Ring
2	228313TD	05305HY	Handle <b>T45V</b> complete with parts
3	220669	52574	Electrode
4	220670	60041E	Swirl ring <b>ECO</b>
	220670	60041	Swirl ring <b>Maximum Life</b>
5	220671TD	51206	Tip, Contact Cutting, 45A
6	220713	60305E	Shield Cup Body <b>ECO</b>
	220713	60305	Shield Cup Body <b>Maximum Life</b>
7	220674TD	51923	Shield Cap, Hand
8		51206G	Tip, Gouging, 45A
9		51924G	Shield Cap, Gouging
10		52574L	Extended Electrode
11		51206L	Extended Shielded Tip, Contact Cutting, 45A
12		51923L	Extended Shield Cap, Hand

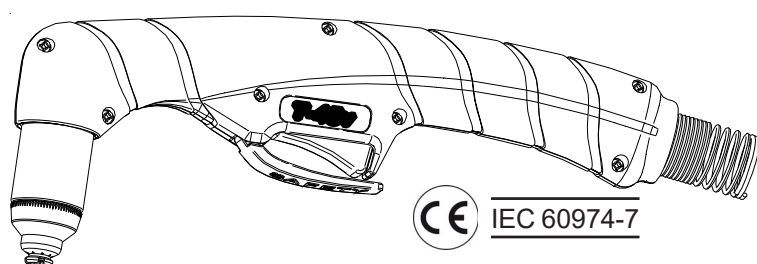
#### Accessories

Item	Code	Description
N/S	51865	Circle Cutting Attachment
13	51880	BEVEL TOOL

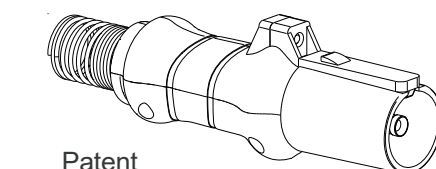
#### Bevel Tool Patent pending



#### Air Filter AT-1000



CE IEC 60974-7



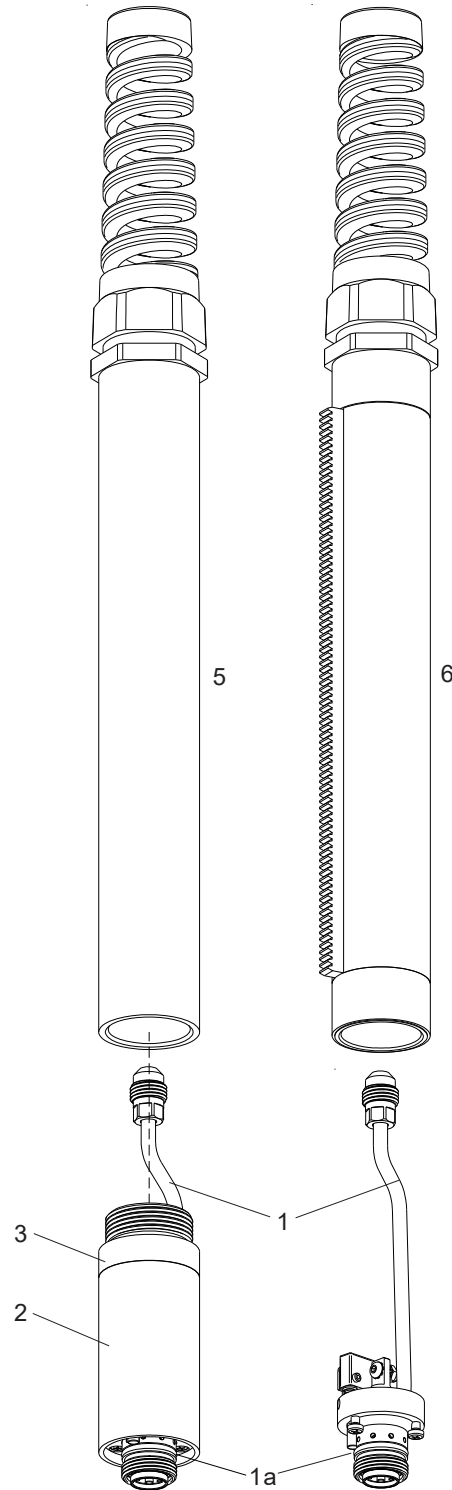
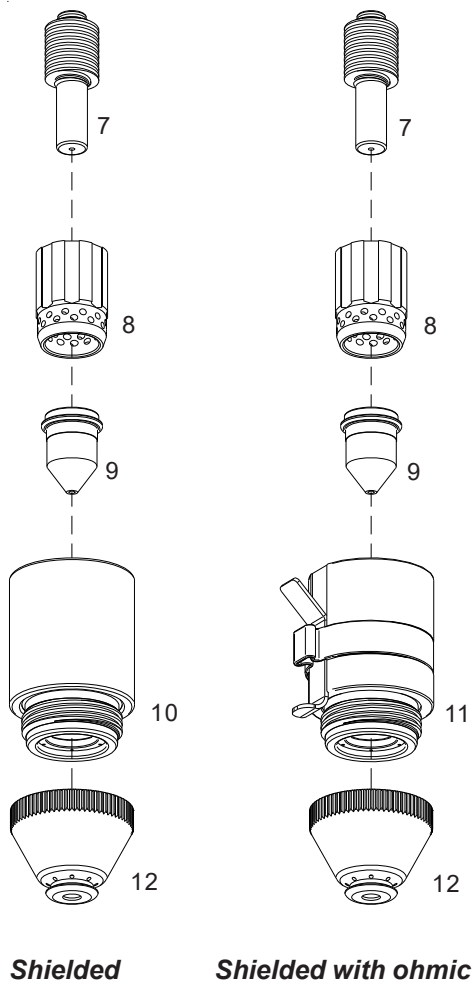
Patent  
US 10,645,790  
EP 3422822

# RPT-Torches suitable for Powermax® 45 Machine Torch T45m

## Hybrid



**NEW**



## RPT-Torches suitable for Powermax<sup>®</sup> 45 Machine Torch T45m

### Replacement Parts

#### Torch parts

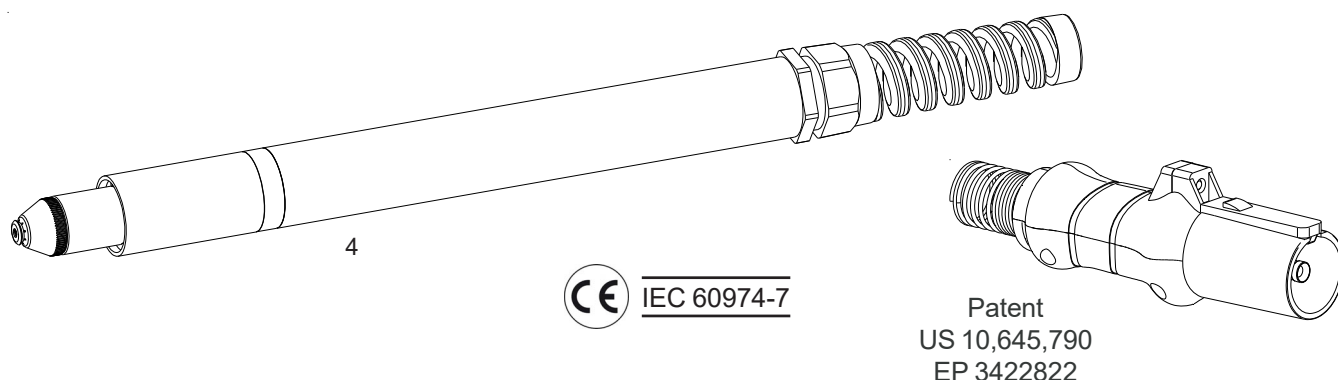
Item	Ref.	Code	Description
1	228320TD	05810HY	<b>T45m 180° MachineTorch Head <i>Patent pending</i></b>
1a	058503	07300.60	O-Ring
2		05315HY	<b>T45m 180° Front Mounting Sleeve</b>
3		05316HY	Positioning Tube Adapter ring
4		05310KIT-HY	KIT T45m (05810HY + 05315HY + 05416HY + 07218)
5		07218	Fiberglass Positioning Tube
6		07219	Fiberglass Positioning Tube With Rack
7	220669	52574	Electrode
8	220670	60041E	Swirl ring <b>ECO</b>
	220670	60041	Swirl ring <b>Maximum Life</b>
9	220671TD	51206	Tip, Contact Cutting, 45A
10	220713	60305E	Shield Cup Body <b>ECO</b>
	220713	60305	Shield Cup Body <b>Maximum Life</b>
11	220719	60305HE	Shield Cup Body <b>Ohmic ECO</b>
	220719	60305H	Shield Cup Body <b>Ohmic Maximum Life</b>
12	220673TD	51924	Shield Cap, Machine

Air Filter  
**AT-1000**



**Complete Torches and Leads: see page # 14**

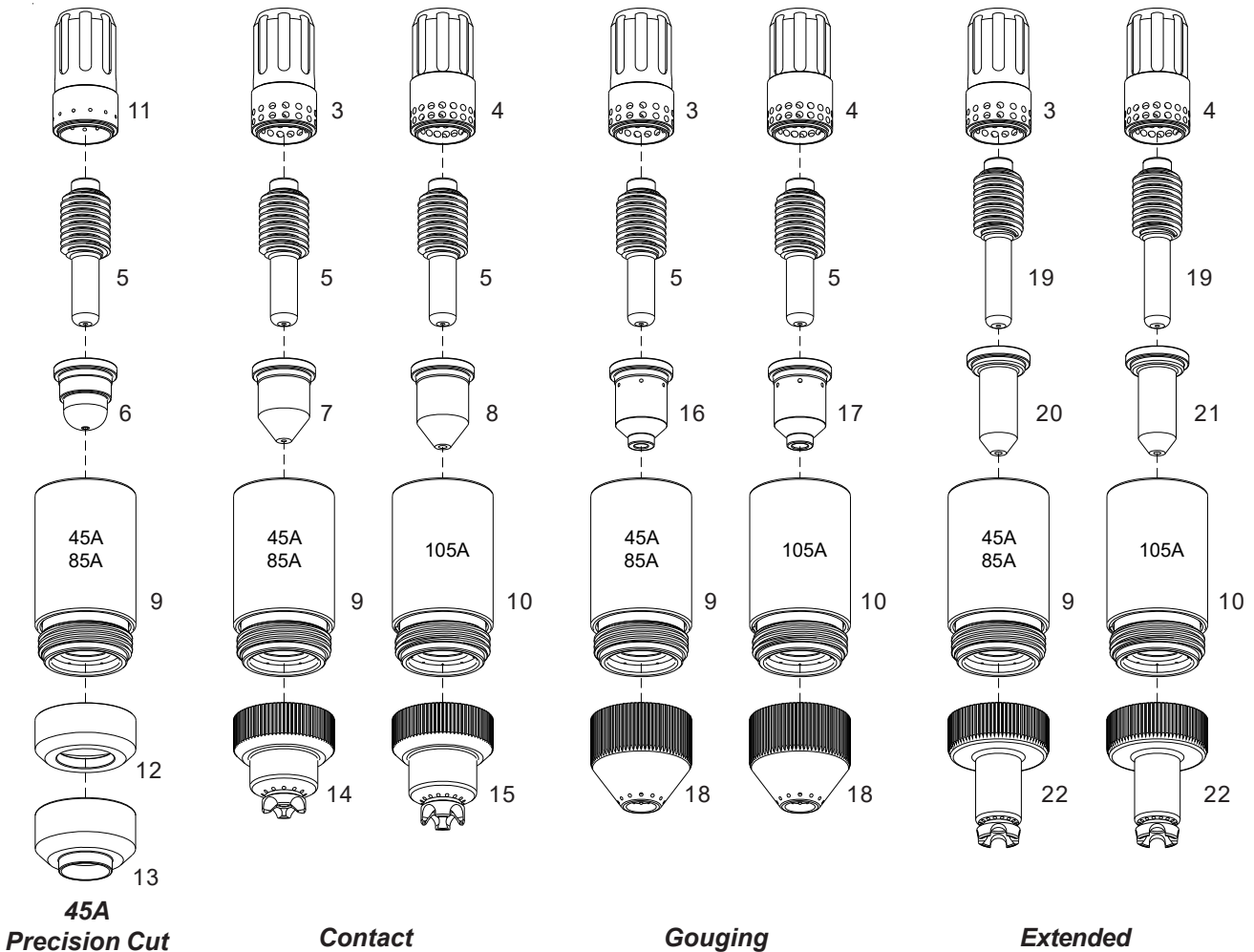
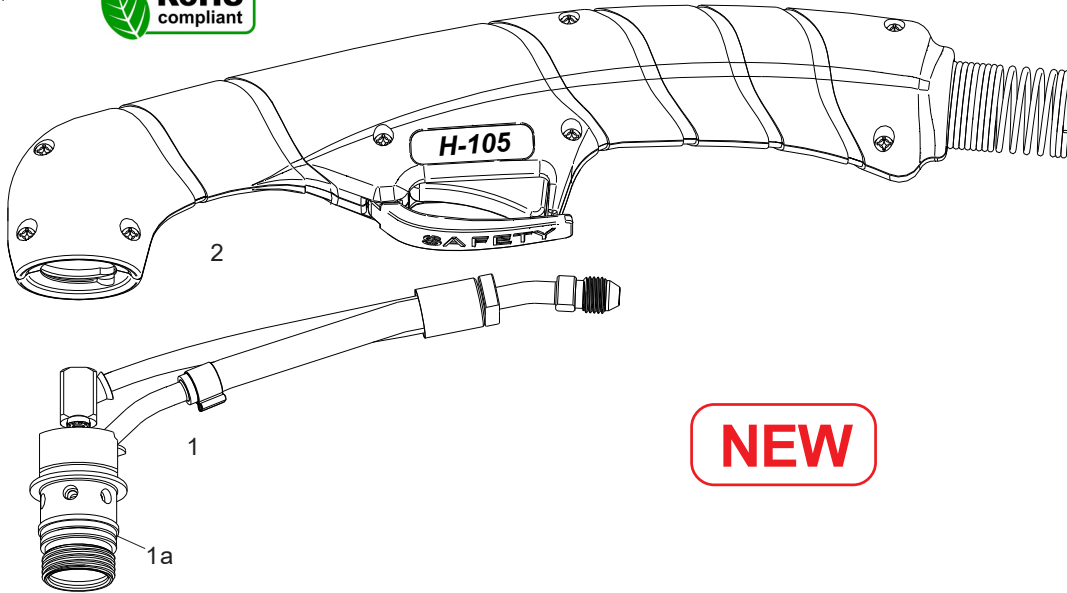
The torch assembly does not include consumables



Patent  
US 10,645,790  
EP 3422822

**RPT-Torches** suitable for **Powermax® 45XP,65,85 &105**  
**Hand Torch H45, H65, H85, H105**

**Hybrid**



## RPT-Torches suitable for Powermax® 45XP,65,85 &105 Hand Torch H45, H65, H85, H105

### Replacement Parts

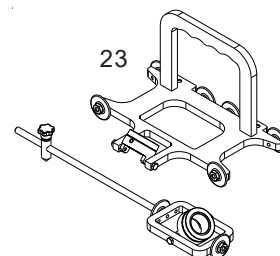
#### Torch parts

Item	Ref.	Code	Description
1	228714TD - 228958TD	05900	<b>H45, H65, H85, H105</b> 75° Hand Torch Head ( use only with Handle 05905HY )
1a	058519	03700.60	O-Ring
2	228717TD - 228954TD	05905HY	Handle <b>H45, H65, H85, H105</b> 75° complete with parts
3	220857	60042E	Swirl ring, 45-85A <b>ECO</b>
	220857	60042	Swirl ring, 45-85A <b>Maximum Life</b>
4	220994	60040E	Swirl ring, 105A <b>ECO</b>
	220994	60040	Swirl ring, 105A <b>Maximum Life</b>
5		52677	Electrode, 45-105A
		52677BM	Electrode, 45-105A, <b>BiMetal</b>
6	220930	51415	Tip, Cutting, 45A Precision Cut
7	220941TD	51416	Tip, Cutting, 45A
	220819TD	51417	Tip, Cutting, 65A
	220816TD	51418	Tip, Cutting, 85A
8	220990TD	51419	Tip, Cutting, 105A
9	220854TD (85A)	60309A	Shield Cup Body, 45-85A <b>ECO</b>
	220854TD (85A)	60309AV	Shield Cup Body, 45-85A <b>Maximum life</b>
10	220854TD (105A)	60309B	Shield Cup Body, 105A <b>ECO</b>
	220854TD (105A)	60309BV	Shield Cup Body, 105A <b>Maximum life</b>
11	220947	60032	Swirl ring, 45A, Precision Cut <b>Maximum life</b>
12	220955	51928	Deflector
13	220931	51931	Deflector, 45A, Precision Cut
14	220818TD	51921	Shield Cap, Hand, 45-85A
15	220992TD	51926	Shield Cap, Hand, 105A
16		51417G	Tip, Gouging, 65-85A
17		51418G	Tip, Gouging, 105A
18		51927G	Shield Cap, Gouging
19		52677L	Extended Electrode
20		51417L.12	Extended Tip, 65A
		51417L.13	Extended Tip, 85A
21		51417L.15	Extended Tip, 105A
22		51926L	Extended Shield, 65-105A

Air Filter  
**AT-1000**



Bevel Tool  
Patent pending

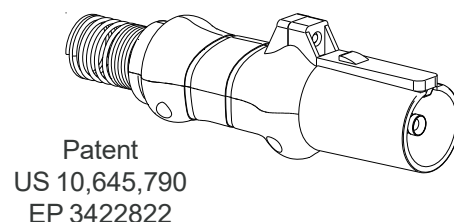
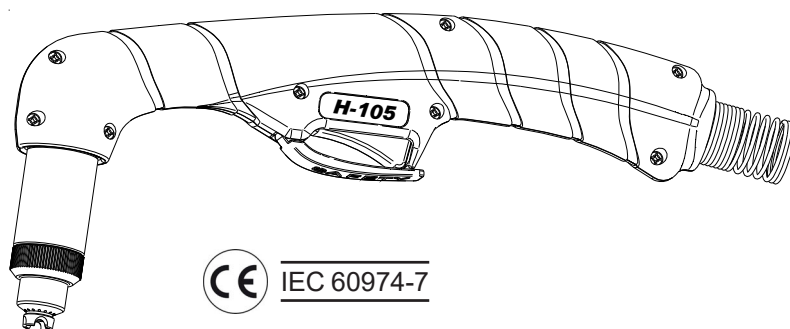


#### Accessories

N/S	51865	Circle Cutting Attachment
23	51880	BEVEL TOOL

**Complete Torches and Leads: see page # 14**

The torch assembly does not include consumables



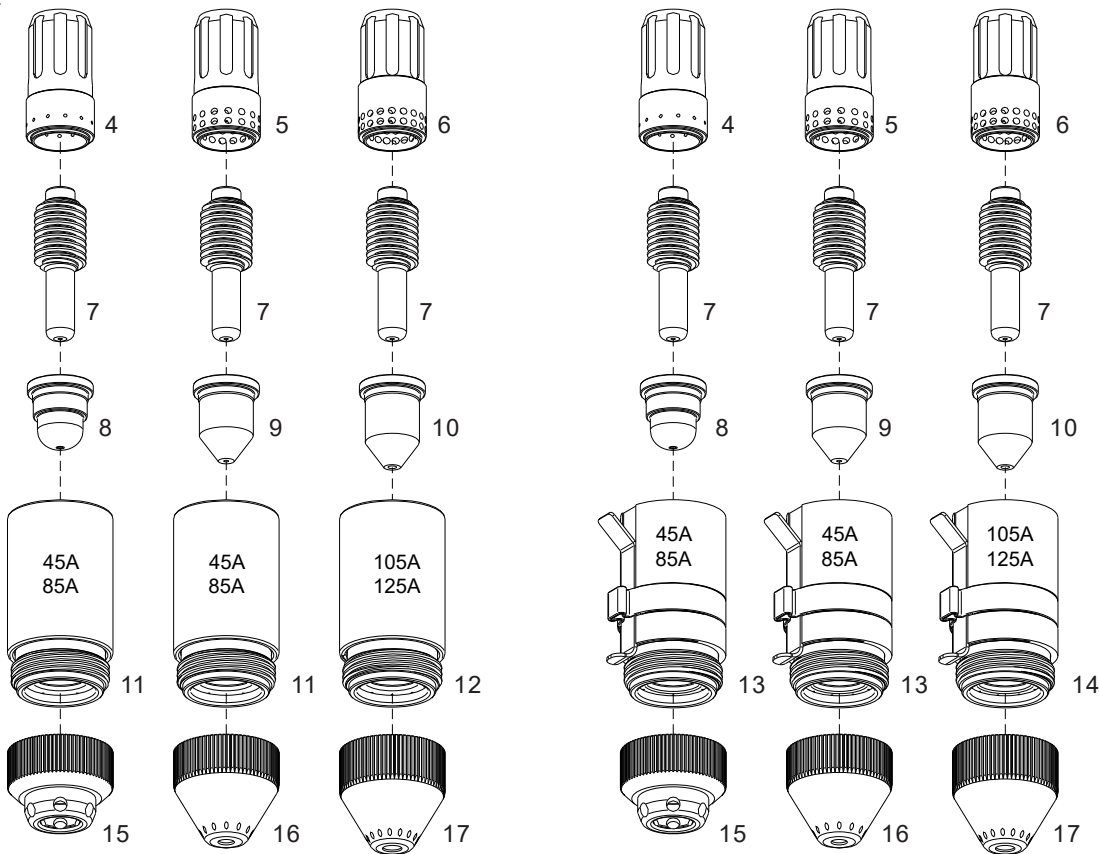
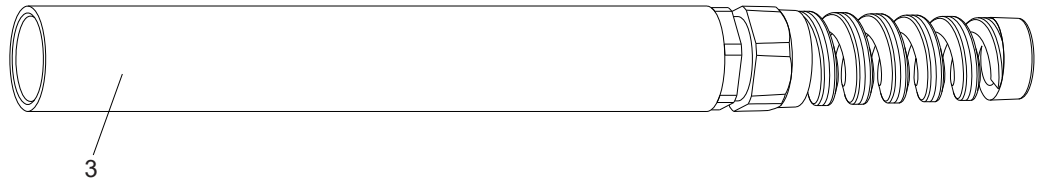
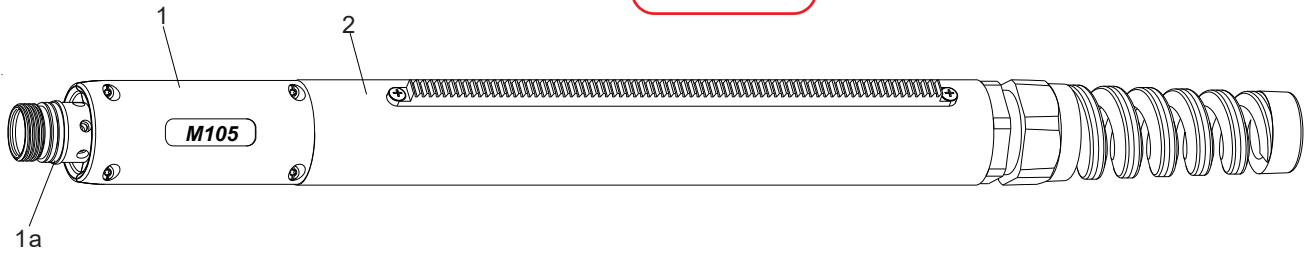
Patent  
US 10,645,790  
EP 3422822

**RPT-Torches** suitable for **Powermax® 45XP,65,85 &105**  
**Machine Torch M45, M65, M85, M105 180°**

**Hybrid**



**NEW**



**Shielded**

**Shielded with ohmic**



## RPT-Torches suitable for Powermax® 45XP,65,85 &105 Machine Torch M45, M65, M85, M105 180°

### Replacement Parts

#### Torch parts

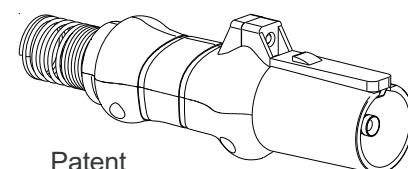
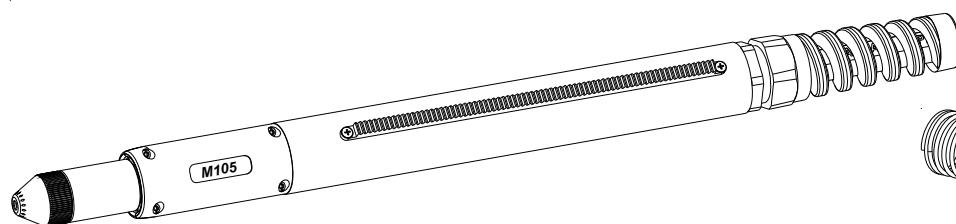
Item	Ref.	Code	Description
1	228716TD	05910HY	<b>M45, M65, M85, M105</b> 180° Torch Head
1a	058519	03700.60	O-Ring
2		07219	Fiberglass Positioning Tube With Rack
3		07218	Fiberglass Positioning Tube
NS		05917	OEM Positioning Tube Adapter ring
4	220947	60032	Swirl ring, 45A, Precision Cut <b>Maximum life</b>
5	220857	60042E	Swirl ring, 45-85A <b>ECO</b>
	220857	60042	Swirl ring, 45-85A <b>Maximum Life</b>
6	220994	60040E	Swirl ring, 105A <b>ECO</b>
	220994	60040	Swirl ring, 105A <b>Maximum Life</b>
7		52677	Electrode, 45-105A
		52677BM	Electrode, 45-105A, <b>BiMetal</b>
8	220930	51415	Tip, Cutting, 45A Precision Cut
9	220941TD	51416	Tip, Cutting, 45A
	220819TD	51417	Tip, Cutting, 65A
	220816TD	51418	Tip, Cutting, 85A
10	220990TD	51419	Tip, Cutting, 105A
11	220854TD (85A)	60309A	Shield Cup Body, 45-85A <b>ECO</b>
	220854TD (85A)	60309AV	Shield Cup Body, 45-85A <b>Maximum Life</b>
12	220854TD (105A)	60309B	Shield Cup Body, 105A <b>ECO</b>
	220854TD (105A)	60309BV	Shield Cup Body, 105A <b>Maximum Life</b>
13	220953TD (85A)	60309HA	Shield Cup Body <b>Ohmic</b> , 45-85A <b>Maximum Life</b>
14	220953TD (105A)	60309HB	Shield Cup Body <b>Ohmic</b> , 105A <b>Maximum Life</b>
15	220948	51929	Shield Cap, 45A Precision Cut
16	220817TD	51922	Shield Cap, Machine, 45-85A
17	220993TD	51927	Shield Cap, Machine, 105A

Air Filter  
**AT-1000**



#### Complete Torches and Leads: see page # 14

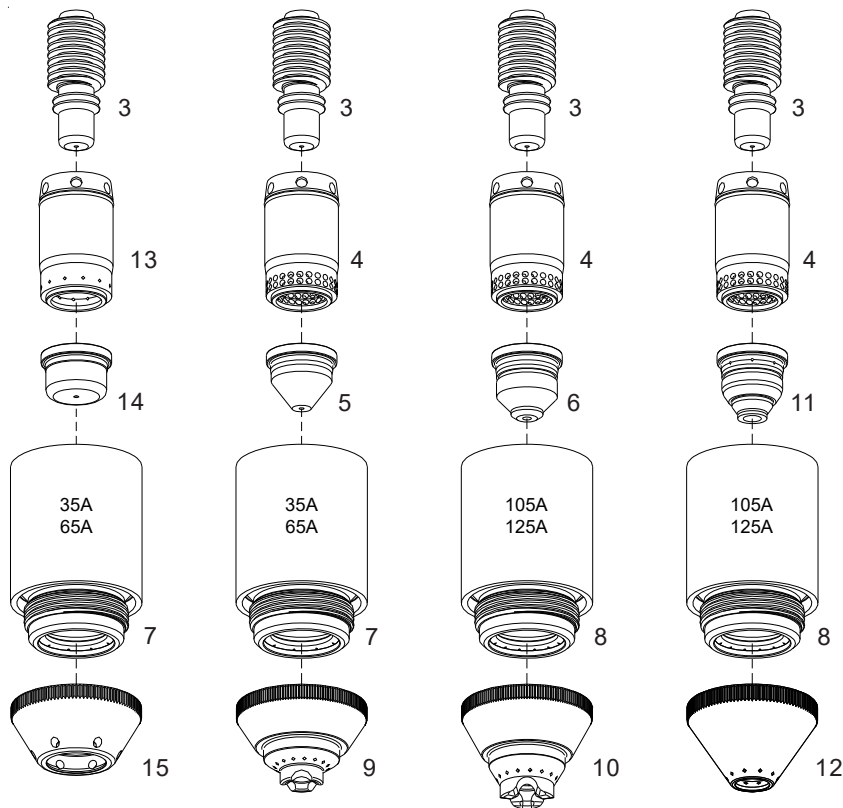
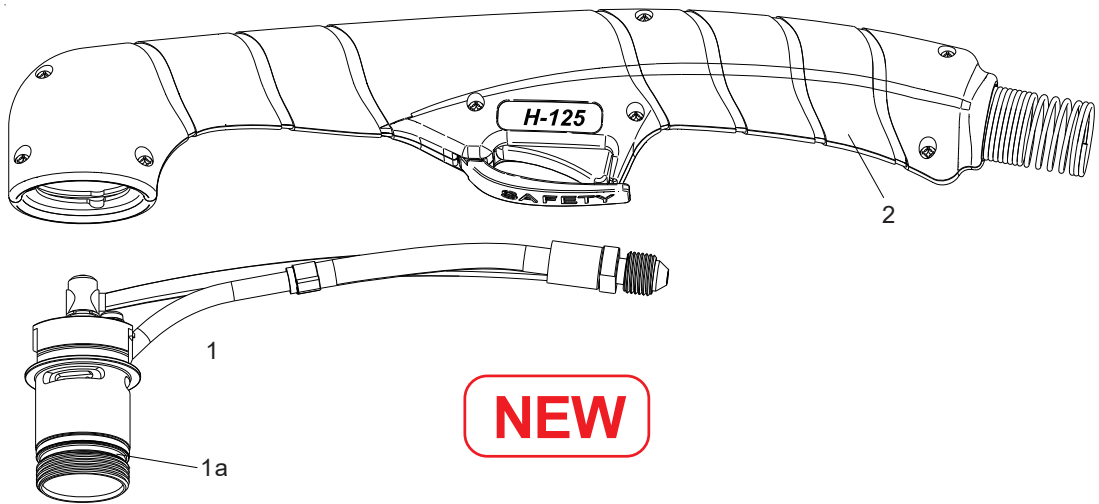
The torch assembly does not include consumables



Patent  
US 10,645,790  
EP 3422822

# RPT-Torches suitable for Powermax® 125 Hand Torch HyAmp®

## Hybrid



Electrode  
Patent pending

Precision Cut

Contact

Gouging

## RPT-Torches suitable for Powermax® 125 Hand Torch HyAmp®

### Replacement Parts

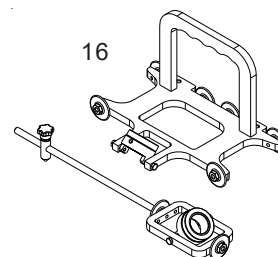
#### torch parts

Item	Ref.	Code	Description
1	428158TD	03900	<b>H-125 Hyamp® 85° Hand Torch Head,</b> ( use only with Handle 05505HY )
1a	428253	03900.60	O-Ring
2	428155TD	05505HY	Handle <b>Hyamp® 85°</b> complete with parts.
3		52678	Electrode
		52678BM	Electrode, <b>BiMetal</b>
4	220997	60039	Swirl ring <b>ECO</b>
	220997	60039	Swirl ring <b>Maximum Life</b>
5	420158TD	51420	Tip, Cutting, 45A
	420169TD	51421	Tip, Cutting, 65A
6	220975TD	51424	Tip, Cutting, 105-125A
7	220977TD (65A)	60311A	Shield Cup Body, 35-65A
8	220977TD (125A)	60311B	Shield Cup Body, 105-125A
9	420172TD	51916	Shield Cap, Hand, 35-65A
10	420000TD	51917	Shield Cap, Hand, 105-125A
11		51424G	Tip, Gouging, 105-125A
12		51919G	Shield Cap, Gouging
13	420159	60033	Swirl ring, 30-45A, Precision Cut
14	420151	51428	Tip, 30-45A, Precision Cut
15	420152	51915	Deflector, Precision Cut

#### Accessories

N/S	51868	Circle Cutting Attachment
16	51886	BEVEL TOOL

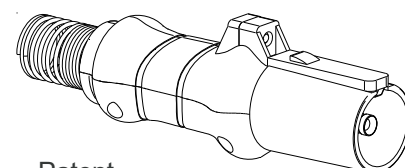
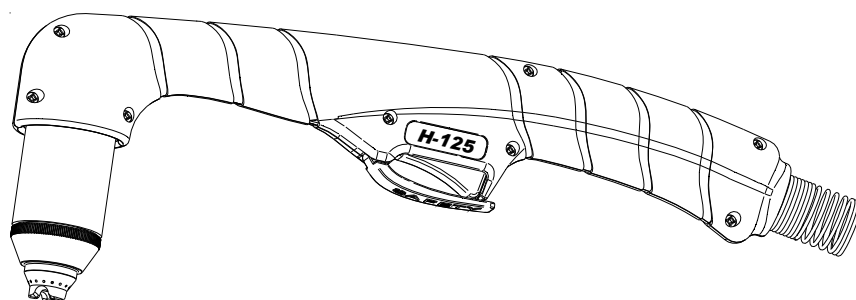
#### Bevel Tool Patent pending



#### Air Filter AT-1000



**Complete Torches and Leads: see page # 15**  
The torch assembly does not include consumables



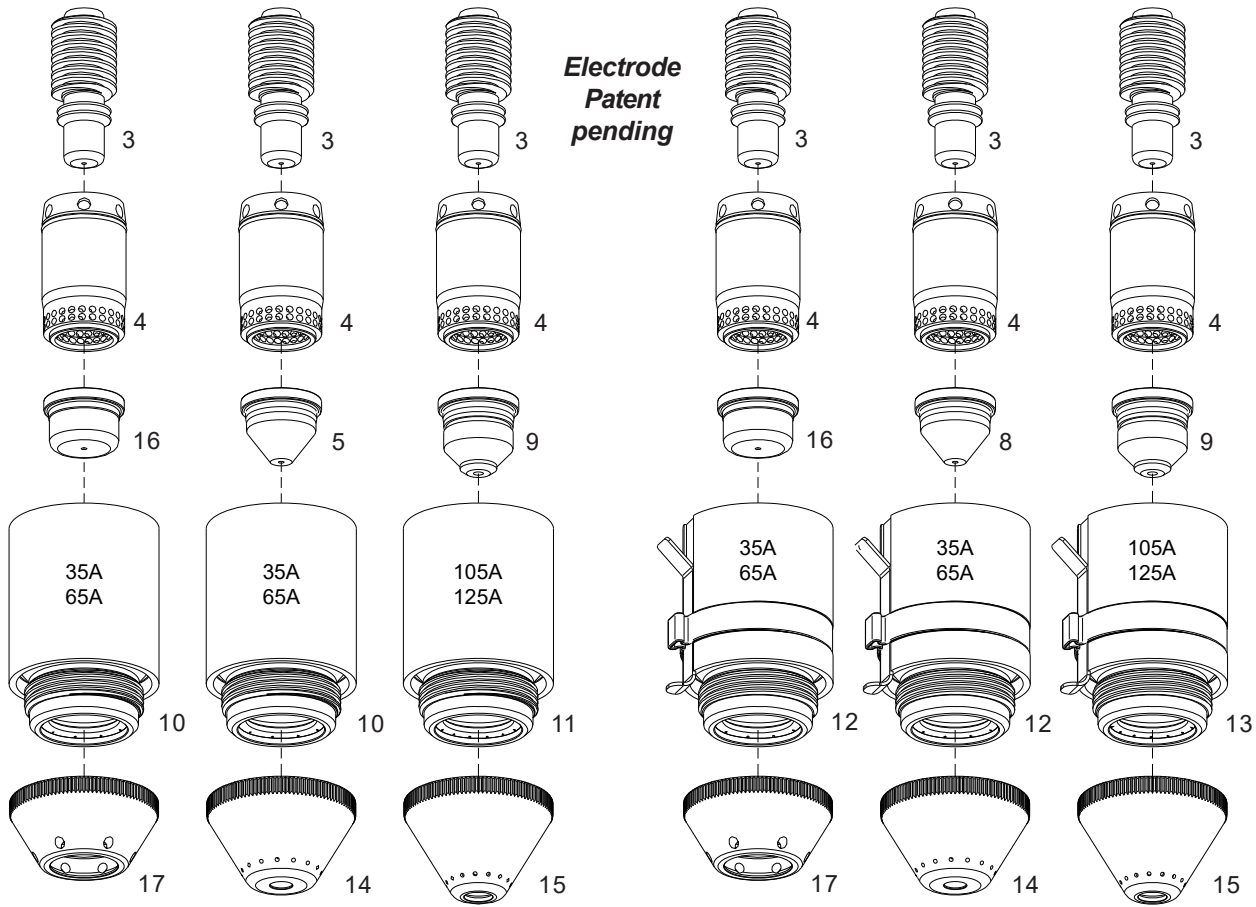
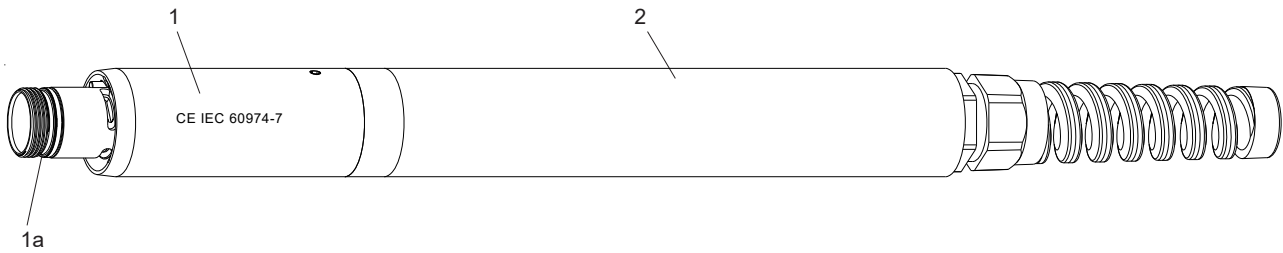
Patent  
US 10,645,790  
EP 3422822

**RPT-Torches** suitable for **Powermax® 125**  
**Machine Torch HyAmp® 180°**

**Hybrid**



**NEW**



*Electrode  
Patent  
pending*

**Shielded**

**Shielded with ohmic**

## RPT-Torches suitable for Powermax® 125 Machine Torch HyAmp® 180°

### Replacement Parts

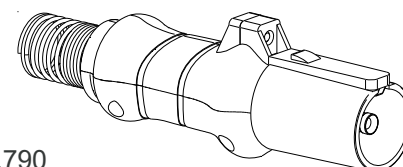
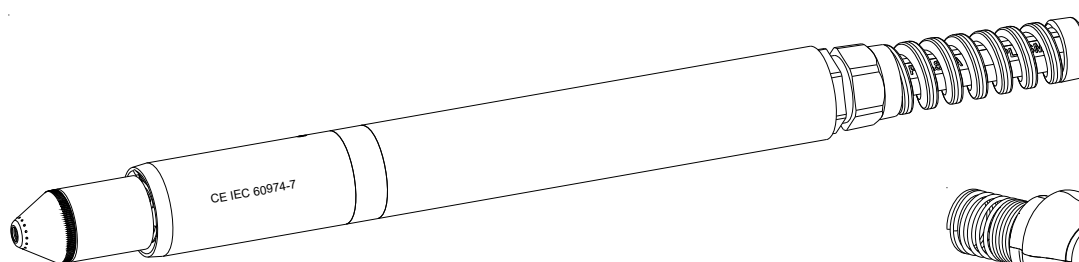
#### Torch parts

Item	Ref.	Code	Description
1	428147TD	03910HY	<b>M-125 Hyamp® 180°</b> Machine Torch Head,
1a	428253	03900.60	O-Ring
2	428144	03916	Fiberglass Positioning Tube
3		52678	Electrode <b>Patent pending</b>
		52678BM	Electrode, <b>BiMetal, Patent pending</b>
4	220997	60039	Swirl ring <b>ECO</b>
	220997	60039E	Swirl ring <b>Maximum Life</b>
5	420158TD	51420	Tip, Cutting, 45A
	420169TD	51421	Tip, Cutting, 65A
9	220975TD	51424	Tip, Cutting, 105-125A
10	220977TD (65A)	60311A	Shield Cup Body, 35-65A
11	220977TD (125A)	60311B	Shield Cup Body, 105-125A
12	420156TD (65A)	60311HA	Shield Cup Body, 35-65A <b>Ohmic</b>
13	420156TD (125)	60311HB	Shield Cup Body, 105-125A <b>Ohmic</b>
14	420168TD	51918	Shield Cap, Machine, 35-65A
15	220976TD	51919	Shield Cap, Machine, 105-125A
16	420151	51428	Tip, 30-45A, Precision Cut
17	420152	51915	Deflector, Precision Cut

Air Filter  
**AT-1000**



**Complete Torches and Leads: see page # 15**  
The torch assembly does not include consumables



Patent  
US 10,645,790  
EP 3422822

## Complete Torches suitable for Powermax® Duramax® & Hyamp®

<i>Ref.</i>	<i>Code</i>	<i>Description</i>
<b>T45V - Powermax® 45, Hand Torches</b>		
088008TD	05820CX-HY	T45v Hand Torch 6m (20 ft)
088009TD	05825CX-HY	T45v Hand Torch 15m (50 ft)
228315TD	05380CX-HY	T45v Lead Assembly, Hand, 6m (20 ft) Length
228316TD	05385CX-HY	T45v Lead Assembly, Hand, 15m (50 ft) Length
<b>T45m - Powermax® 45, Machine Torches</b>		
088010TD	05830CX-HY	T45m Machine Torch 7.5m (25 ft)
088011TD	05835CX-HY	T45m Machine Torch 15m (50 ft)
228317TD	05390CX-HY	T45m Lead Assembly, Machine, 7.5m (25 ft) Length
228319TD	05395CX-HY	T45m Lead Assembly, Machine, 15m (50 ft) Length
<b>H45 - Powermax® 45XP, 75° Hand Torches</b>		
088164TD	05923CX-HY	H45 75°, Hand Torch 6m (20 ft)
088165TD	05928CX-HY	H45 75°, Hand Torch 15m (50 ft)
428592TD	05483CX-HY	H45 75°, Lead Assembly, Hand, 6m (20 ft) Length
428593TD	05488CX-HY	H45 75°, Lead Assembly, Hand, 15m (50 ft) Length
<b>M45 - Powermax® 45XP, 180° Machine Torches</b>		
088167TD	05933CX-HY	M45 180°, Machine Torch 7.5m (25 ft)
088169TD	05938CX-HY	M45 180°, Machine Torch 15m (50 ft)
428699TD	05993CX-HY	M45 180°, Lead Assembly, Machine, 7.5m (25 ft) Length
428700TD	05998CX-HY	M45 180°, Lead Assembly, Machine, 15m (50 ft) Length
<b>H65 - Powermax® 65, 75° Hand Torches</b>		
083247TD	05920CX-HY	H65 75°, Hand Torch 7.5m (25 ft)
083248TD	05925CX-HY	H65 75°, Hand Torch 15m (50 ft)
228723TD	05482CX-HY	H65 75°, Lead Assembly, Hand, 7.5m (25 ft) Length
228724TD	05487CX-HY	H65 75°, Lead Assembly, Hand, 15m (50 ft) Length
<b>M65 - Powermax® 65, 180° Machine Torches</b>		
083255TD	05930CX-HY	M65 180°, Machine Torch 7.5m (25 ft)
083257TD	05935CX-HY	M65 180°, Machine Torch 15m (50 ft)
228731TD	05992CX-HY	M65 180°, Lead Assembly, Machine, 7.5m (25 ft) Length
228733TD	05997CX-HY	M65 180°, Lead Assembly, Machine, 15m (50 ft) Length

## Complete Torches suitable for Powermax® Duramax® & Hyamp®

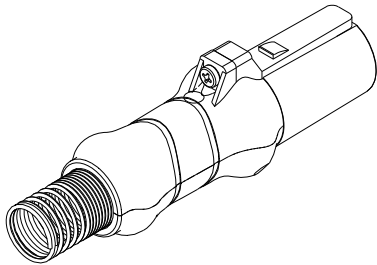
<i>Ref.</i>	<i>Code</i>	<i>Description</i>
<b>H85 - Powermax® 85, 75° Hand Torches</b>		
087085TD	05921CX-HY	H85 75° Hand Torch 7.5m (25 ft)
087086TD	05926CX-HY	H85 75° Hand Torch 15m (50 ft)
228723TD	05482CX-HY	H85 75° Lead Assembly, Hand, 7.5m (25 ft) Length
228724TD	05487CX-HY	H85 75° Lead Assembly, Hand, 15m (50 ft) Length
<b>M85 - Powermax® 85, 180° MachineTorches</b>		
087093TD	05931CX-HY	M85 180°, Machine Torch 7.5m (25 ft)
087095TD	05936CX-HY	M85 180°, Machine Torch 15m (50 ft)
228731TD	05992CX-HY	M85 180°, Lead Assembly, Machine, 7.5m (25 ft) Length
228733TD	05997CX-HY	M85 180°, Lead Assembly, Machine, 15m (50 ft) Length
<b>H105 - Powermax® 105, 75° Hand Torches</b>		
059473TD	05922CX-HY	H105 75°, Hand Torch 7.5m (25 ft)
059474TD	05927CX-HY	H105 75°, Hand Torch 15m (50 ft)
228959TD	05482CX-HY	H105 75°, Lead Assembly, Hand, 7.5m (25 ft) Length
228960TD	05487CX-HY	H105 75°, Lead Assembly, Hand, 15m (50 ft) Length
<b>M105 - Powermax® 105, 180° Machine Torches</b>		
059477TD	05932CX-HY	M105 180°, Machine Torch 7.5m (25 ft)
059479TD	05937CX-HY	M105 180°, Machine Torch 15m (50 ft)
228731TD	05992CX-HY	M105 180°, Lead Assembly, Machine, 7.5m (25 ft) Length
228733TD	05997CX-HY	M105 180°, Lead Assembly, Machine, 15m (50 ft) Length
<b>H125 Hyamp, 85° Hand Torches</b>		
059492TD	03920CX-HY	H125 Hyamp 85°, Hand Torch 7.5m (25 ft)
059493TD	03925CX-HY	H125 Hyamp 85°, Hand Torch 15m (50 ft)
428159TD	05580CX-HY	H125 Hyamp 85°, Lead Assembly, Hand, 7.5m (25 ft) Length
428160TD	05585CX-HY	H125 Hyamp 85°, Lead Assembly, Hand, 15m (50 ft) Length
<b>M125 Hyamp, 180° Machine Torches</b>		
059520TD	03930CX-HY	M125 Hyamp 180°, Machine Torch 7.5m (25 ft)
059522TD	03935CX-HY	M125 Hyamp 180°, Machine Torch 15m (50 ft)
428150TD	05590CX-HY	M125 Hyamp 180°, Lead Assembly, Machine, 7.5m (25 ft) Length
428152TD	05595CX-HY	M125 Hyamp 180°, Lead Assembly, Machine, 15m (50 ft) Length

The torch assembly does not include consumables

**Torches suitable for Powermax®  
Duramax® & Hyamp®**

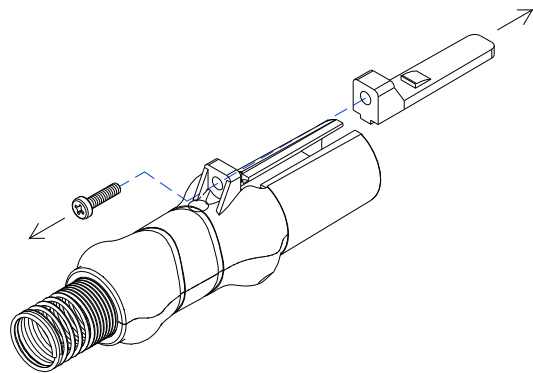
**Installation Manual**

**Step 1**

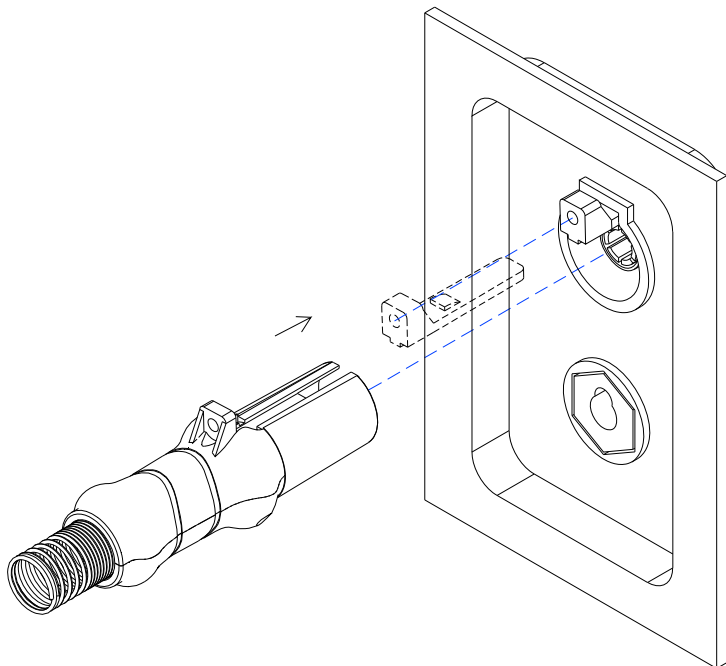


**Patented**  
US 10,645,790  
EP 3422822

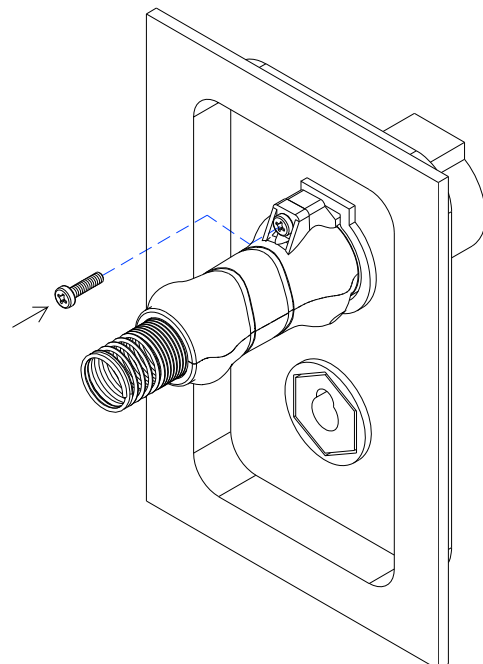
**Step 2**



**Step 3**

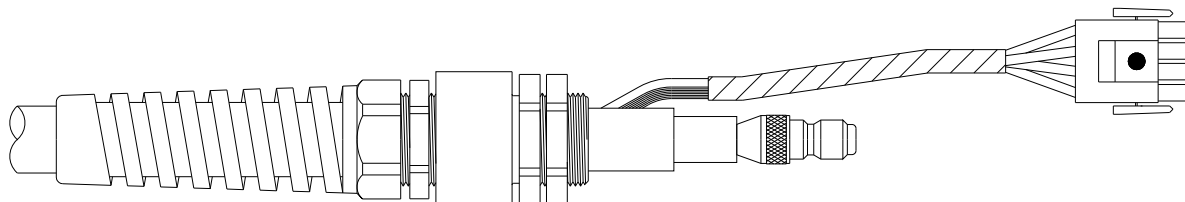


**Step 4**





## RPT-Torches suitable for Powermax® 1000 / 1250 / 1650



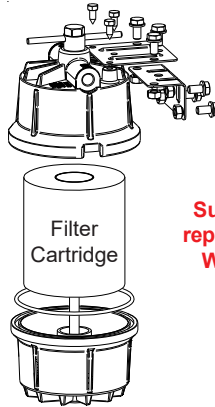
Consumables parts: See pages 6 to 9

The torch assembly does not include consumables

### Powermax® 1000 / 1250 / 1650

<i>Ref.</i>	<i>Code</i>	<i>Description</i>
<b>H85 - Powermax® 1000 / 1250, 75° Hand Torches</b>		
	05440CX-HY	H85 75°, Hand Torch 7.5m (25 ft)
	05445CX-HY	H85 75°, Hand Torch 15m (50 ft)
	05460CX-HY	H85 75°, Lead Assembly, Hand, 7.5m (25 ft) Length
	05465CX-HY	H85 75°, Lead Assembly, Hand, 15m (50 ft) Length
<b>M85 - Powermax® 1000 / 1250, 180° Machine Torches</b>		
	05450CX-HY	M85 180°, Machine Torch 7.5m (25 ft)
	05455CX-HY	M85 180°, Machine Torch 15m (50 ft)
	05470CX-HY	M85 180°, Lead Assembly, Machine, 7.5m (25 ft) Length
	05475CX-HY	M85 180°, Lead Assembly, Machine, 15m (50 ft) Length
<b>H105 - Powermax® 1650, 75° Hand Torches</b>		
228788TD	05441CX-HY	H105 75°, Hand Torch 7.5m (25 ft)
228789TD	05446CX-HY	H105 75°, Hand Torch 15m (50 ft)
228952TD	05461CX-HY	H105 75°, Lead Assembly, Hand, 7.5m (25 ft) Length
228953TD	05466CX-HY	H105 75°, Lead Assembly, Hand, 15m (50 ft) Length
<b>M105 - Powermax® 1650, 180° Machine Torches</b>		
228790TD	05451CX-HY	M105 180°, Machine Torch 7.5m (25 ft)
228791TD	05456CX-HY	M105 180°, Machine Torch 15m (50 ft)
228786TD	05471CX-HY	M105 180°, Lead Assembly, Machine, 7.5m (25 ft) Length
228787TD	05476CX-HY	M105 180°, Lead Assembly, Machine, 15m (50 ft) Length

## Air Filter **AT1000**



**Suggested  
replacement:  
WEEKLY**

Air Filter Complete Code: 50500

**Packaging:**

Air Filter AT1000

Code: 50500-12

Carton Box: 12 Filters

Dimensions: 11" x 16.5" x h. 17.3"  
(cm 28 x 42 x h. 44)

Weight: 43 lbs ( 19.5 kg )

-----  
**Filter Cartridge**

Code: 50505-8

Carton Box: 8 Cartridges

Dimensions: 8.58" x 8.58" x h. 9.61"  
(cm 21.8 x 21.8 x h. 24.4)

Weight: 4.2 lbs ( 1.9 kg )

Code: 50505-48

Master Box: 8x6=48 Cartridges

Dimensions: 17.72" x 26.38" x h. 10.43"  
(cm 45 x 67 x h. 26.5)

Weight: 26.7 lbs ( 12.1 kg )

"AT 1000" is the perfect solution to the problems created by the contamination of the compressed air used in many plasma cutting systems.

It eliminates "sputter" caused by moisture and oil from compressed air lines.

It extends the electrode and nozzle life, with obvious benefits to the cut quality.

Designed to remove aerosol oil and moisture, "AT 1000" is a real benefit, entrapping particles as small as .01 microns inches.

With "AT 1000" torches last longer. Without this filter, at the end of this cutting session, inside the torch and torch head you have left condensed moisture, that can cause a short-circuit, with consequent rise of costs coming from the replacement of the torch head and the needed time to realize this operation.

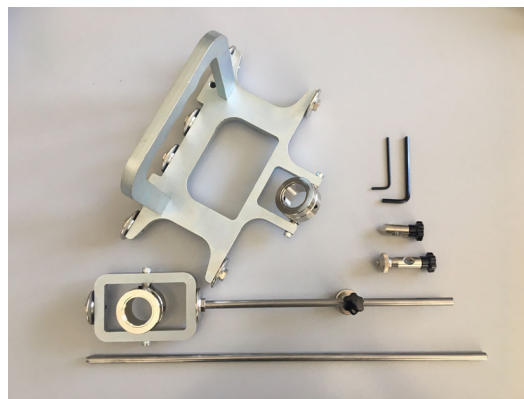
"AT 1000" can filter up to 1250 liters a minute without reduction in pressure.

It's recommended to replace the filter cartridge every 5 to 7 days (max).

It's also very suitable for painters and use of pneumatic tools.

Our excellent knowhow in the production of plasma cutting torches and the consequent problems of air contaminant brought us to create the "AT 1000" being very effective and important for users of plasma cutting systems.

## BEVEL TOOL



Code	Description
51880	PMAX 45/65/85/105® - PMAX 1000/1250/1650®
51886	PMAX 125®

## CNC Plasma Water Table

Ask for more specific information



- Eliminates the need for the suction hood
- Preserve the cutting table technical and mobile parts from rust corrosion
- Solves the problem of rust in the finished piece
- Catches 98 % of fumes and dust
- Absorbs the majority of sparks

## Plasma Fluid RI-MEC 100/PCF



Code	Description
50005	PLASMA FLUID RI-MEC 100/PCF (5 LT.) / 1 BOX FOR 4 PIECES / DIMENSIONS: 44x30xH30 (Kg. 20)

**35+**  
Years

**TECMO.**  
=

Quality  
Technology  
Innovation